

# TRACK TRAILER 3000

## DESCRIPTION

Track trailer aimed to be mounted with a GP3000 monitor (MONITOR INOX or COMBITOR).

It has no light nor signalization, it can be tracked at low speed in private areas but it is not authorized to be used on public roads.

Built with the following elements :

- An axle without brake, PTAC 500 kg with rubber and smooth suspension.
- A fixed trailing arm with a standardized hanging ring Ø 50.
- Three stabilizers, two adjustable at the back.
- A supply pipe, inlet with half coupling with locking ring and plug, flanged outlet.
- Nut and bolt works in stainless steel for the connection of the monitor.

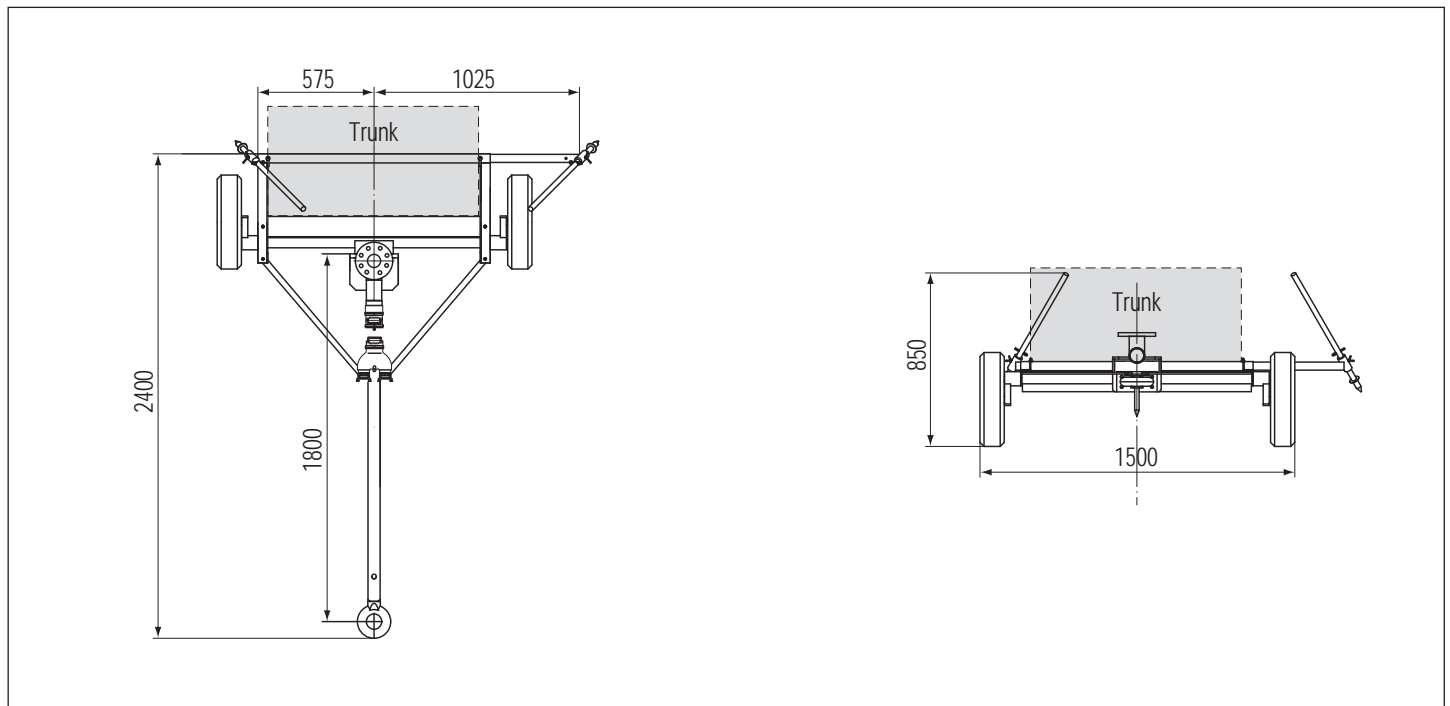
## STANDARDS

- NF EN 1092 : Circular flange for hoses, fitting equipment, couplings and accessories named PN.
- NF S 61.701 : Fire brigades equipment : fire-fighting couplings.



## CONSTRUCTION

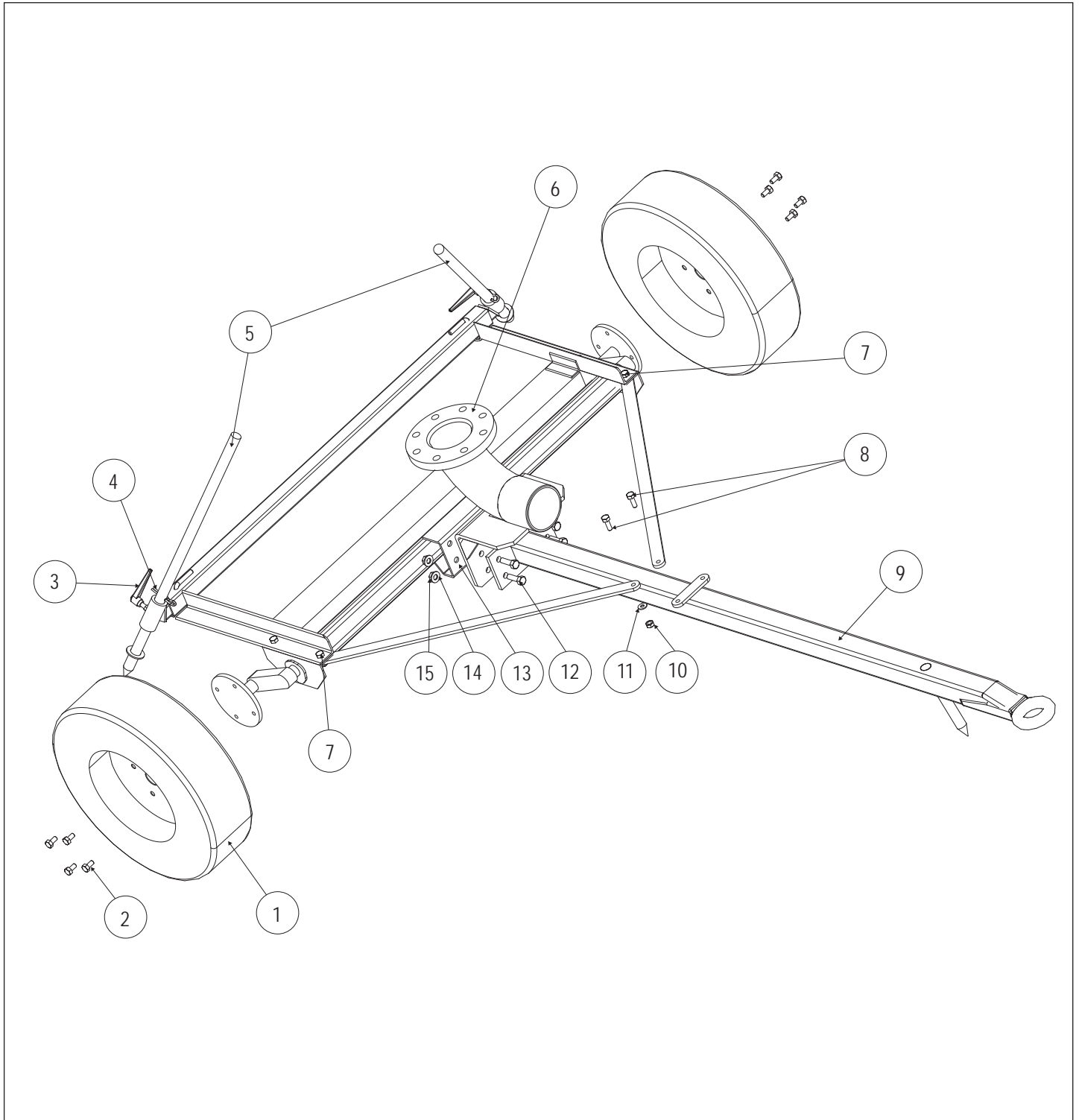
Red fire plasticized steel.



## CHARACTERISTICS

Model	Inlet	Outlet	Part numbers
Track trailer 3000	1 x DSP 65	ISO PN 16 ND 100	3472.926
	1 X AR 100	ISO PN 16 ND 100	3472.931
	2 X DSP 65	ISO PN 16 ND 100	3472.937
	2 X DSP 65	ASA ND 100	3472.937A
<b>Options :</b>			
Butterfly valve ND 100			2908.931
A collecting device, 2 inlets ND 65, 1 outlet ND 100			2403.539
Storage trunk in bulb plate with locks, size : W.1100 x L.550 x H.450 mm			3209.900

**TRACK TRAILER 3000**



Two people are necessary to assembly the trailer.

- Install the 2 wheels (Rep.1) using the 2 x 4 bolts (Rep.2) (tightening torque 15 Nm).
- Slide completely the 2 stabilizers (Rep.5). Tighten handles (Rep.3) and set up the safety pins (Rep.4).
- Install the pipe (Rep.6) between the boom (Rep.9) and the frame (Rep.13).
- Tighten without blocking the 4 bolts M12 (Rep.12) with the nuts and washers (Rep.14 and Rep.15).
- Unscrew the 2 bolts (Rep.7).
- Tighten without blocking the 2 bolts M10 (Rep.8) with the nuts and washers (Rep.10 and Rep.11).
- Block the 4 bolts M12 (Rep.12) of the pipe, the 2 bolts M12 (Rep.7) then the 2 bolts M10 (Rep.8).